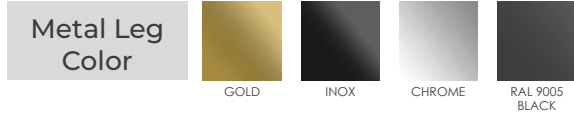
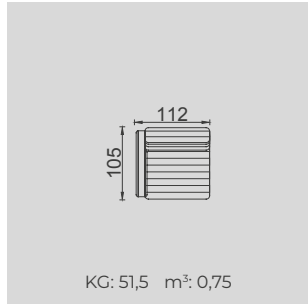


HERITAGE

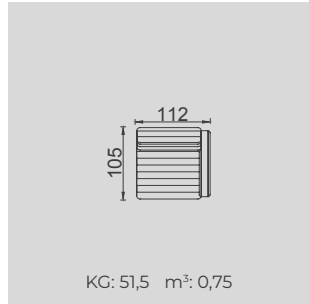
- 35 density high-resilient seat foam
- Frame strengthened with ply-Wooden (10 year warranty compliance with European norms)
- Modular stucture provides unlimited options
- Seating height 43 cm
- Sofa height 80 cm



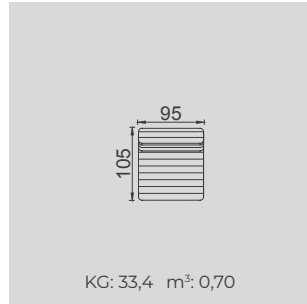
95 cm Arm Module Quilted (Left)



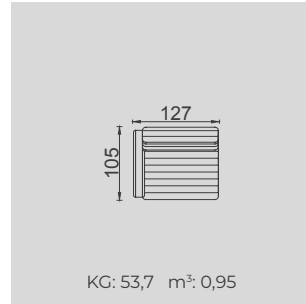
95 cm Arm Module Quilted (Right)



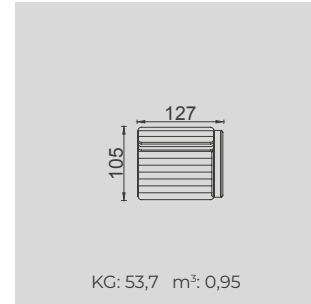
95 cm Inter Module Quilted



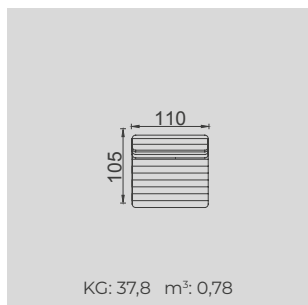
110 cm Arm Module Quilted (Left)



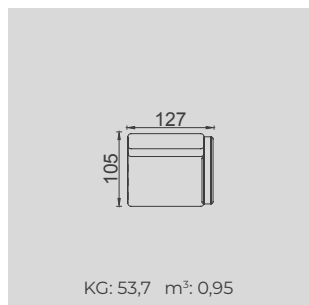
110 cm Arm Module Quilted (Right)



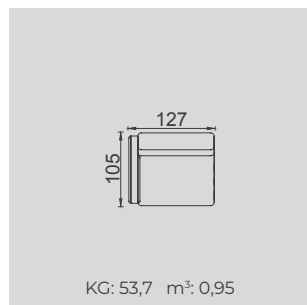
110 cm Inter Module Quilted



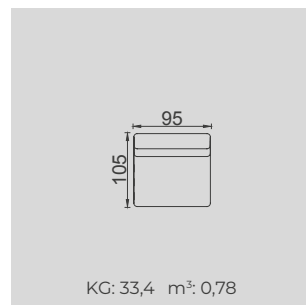
110 cm Arm Module (Right)



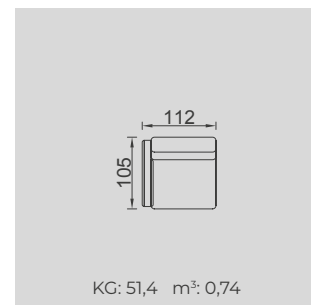
110 cm Arm Module (Left)



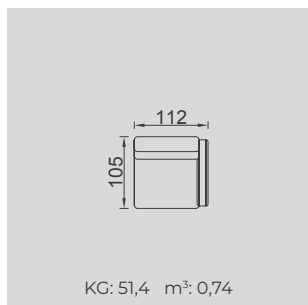
95 cm Inter Module



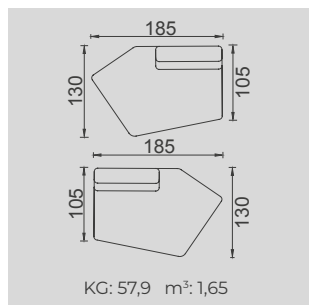
95 cm Arm Module (Left)



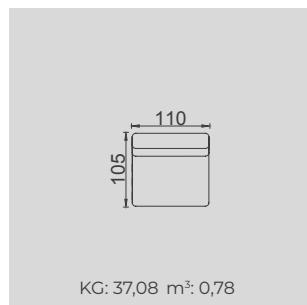
95 cm Arm Module (Right)



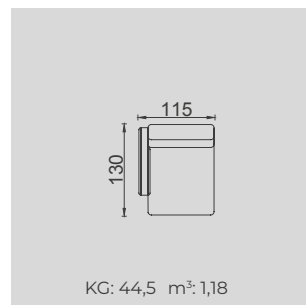
Amorf Module (Left-Right)



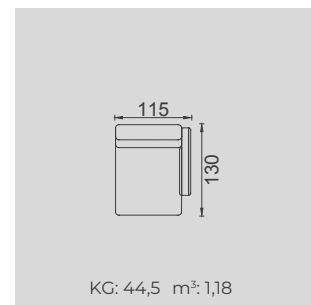
110 cm Inter Module



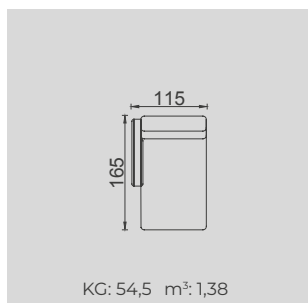
Relaxing Short Module (Left)



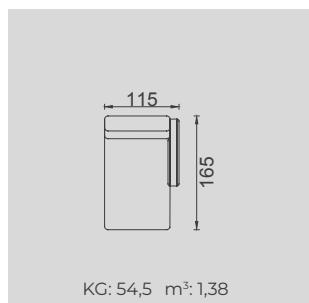
Relaxing Short Module (Right)



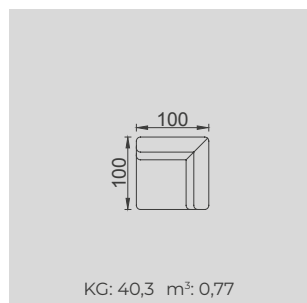
Relaxing Long Module (Left)



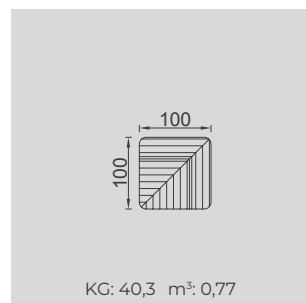
Relaxing Long Module (Right)



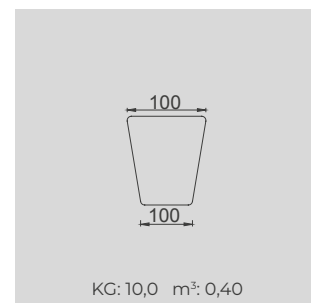
Corner Module



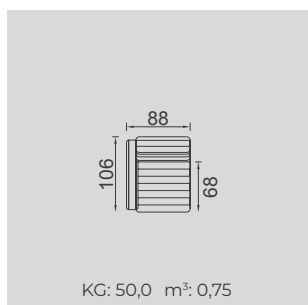
Corner Module Quilted



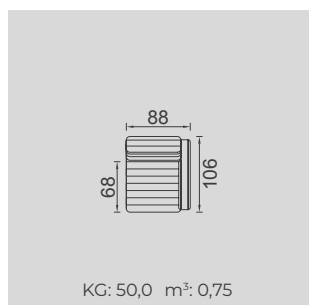
Angled Pouf



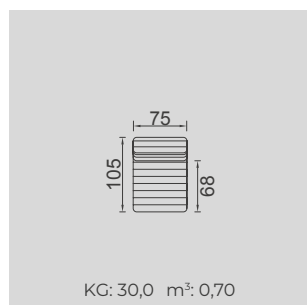
75 cm Arm Module (Left)



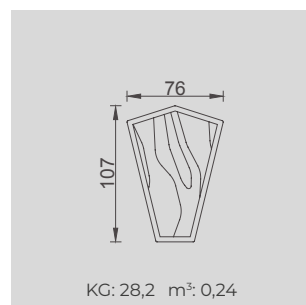
75 cm Arm Module (Right)



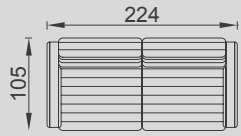
75 cm Inter Module



Inter Angled Coffee Table



OPTION 1



KG: 103,0 m³: 1,50

OPTION 2



KG: 136,4 m³: 2,28

OPTION 3



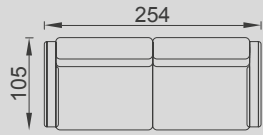
KG: 107,5 m³: 1,90

OPTION 4



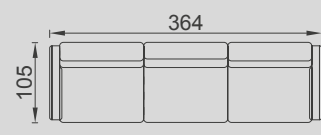
KG: 144,5 m³: 2,68

OPTION 5



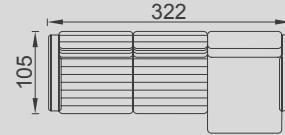
KG: 107,5 m³: 1,90

OPTION 6



KG: 144,5 m³: 2,68

OPTION 7



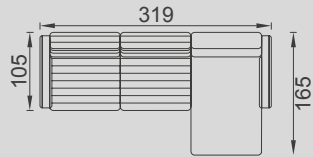
KG: 151,0 m³: 2,63

OPTION 8



KG: 151,0 m³: 2,63

OPTION 9



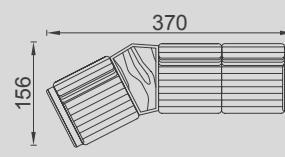
KG: 171,0 m³: 2,81

OPTION 10



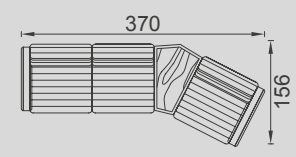
KG: 171,0 m³: 2,81

OPTION 11



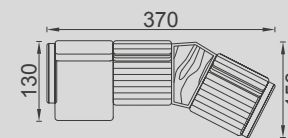
KG: 164,6 m³: 2,62

OPTION 12



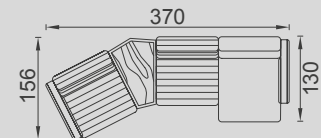
KG: 164,6 m³: 2,62

OPTION 13



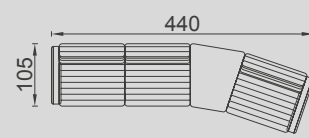
KG: 179,2 m³: 2,87

OPTION 14



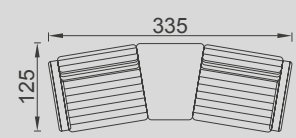
KG: 179,2 m³: 2,87

OPTION 15



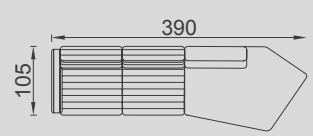
KG: 154,5 m³: 3,08

OPTION 16



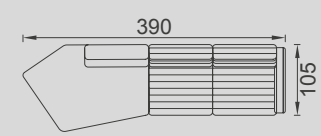
KG: 117,5 m³: 2,30

OPTION 17



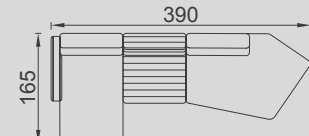
KG: 142,8 m³: 3,10

OPTION 18



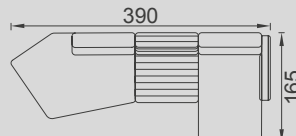
KG: 142,8 m³: 3,10

OPTION 19



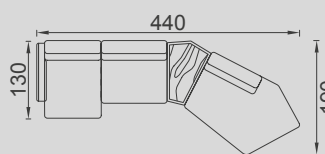
KG: 145,8 m³: 3,73

OPTION 20



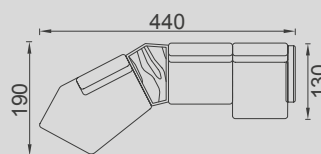
KG: 145,8 m³: 3,73

OPTION 21



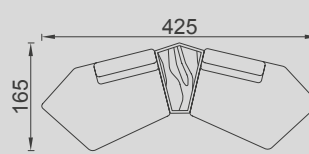
KG: 167,6 m³: 3,85

OPTION 22



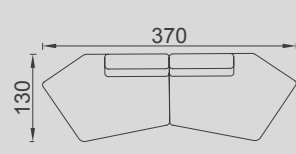
KG: 167,6 m³: 3,85

OPTION 23



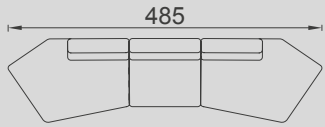
KG: 144,0 m³: 3,54

OPTION 24



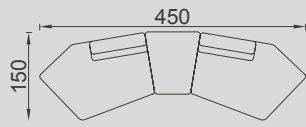
KG: 115,8 m³: 3,30

OPTION 25



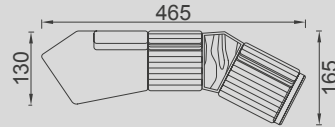
KG: 152,0 m³: 4,08

OPTION 26



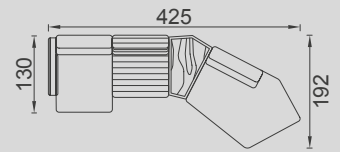
KG: 125,8 m³: 3,70

OPTION 27



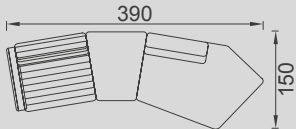
KG: 173,0 m³: 3,54

OPTION 28



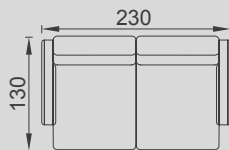
KG: 164,0 m³: 3,77

OPTION 29



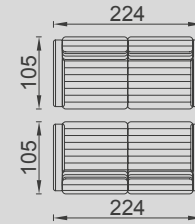
KG: 119,4 m³: 2,80

OPTION 30



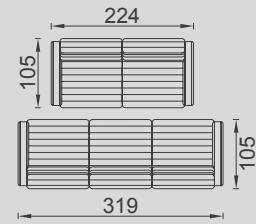
KG: 89,0 m³: 2,36

OPTION 31



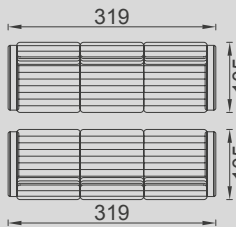
KG: 206,0 m³: 3,00

OPTION 32



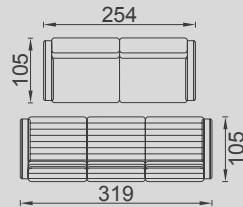
KG: 239,4 m³: 3,78

OPTION 33



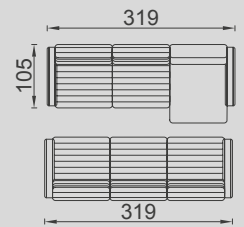
KG: 272,8 m³: 4,56

OPTION 34



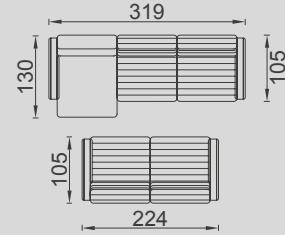
KG: 243,9 m³: 4,18

OPTION 35



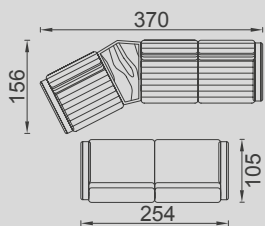
KG: 287,4 m³: 4,91

OPTION 36



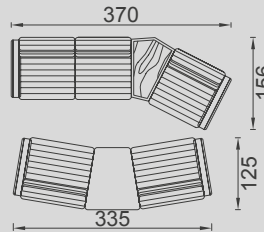
KG: 254,0 m³: 4,13

OPTION 37



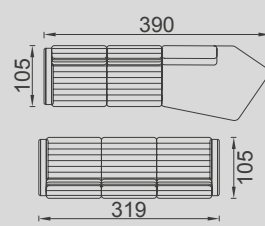
KG: 272,0 m³: 4,42

OPTION 38



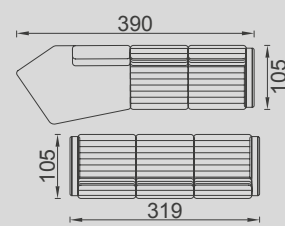
KG: 282,1 m³: 4,82

OPTION 39



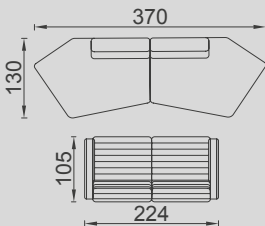
KG: 279,2 m³: 5,38

OPTION 40



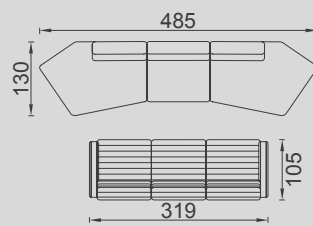
KG: 279,2 m³: 5,38

OPTION 41



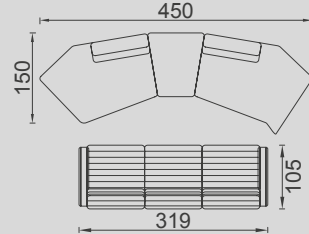
KG: 218,8 m³: 4,80

OPTION 42



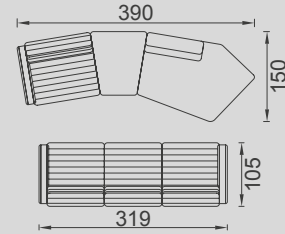
KG: 288,4 m³: 6,30

OPTION 43



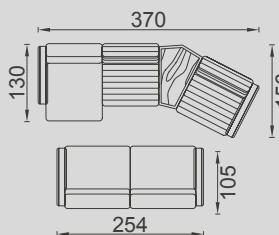
KG: 262,2 m³: 6,00

OPTION 44



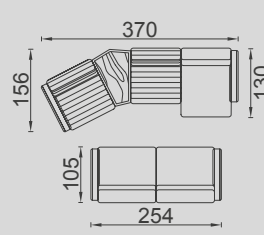
KG: 255,8 m³: 5,00

OPTION 45



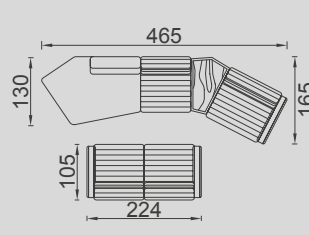
KG: 286,7 m³: 4,77

OPTION 46



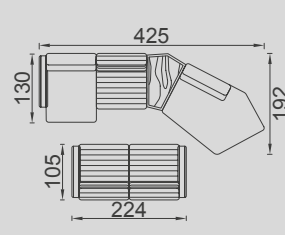
KG: 286,7 m³: 4,77

OPTION 47



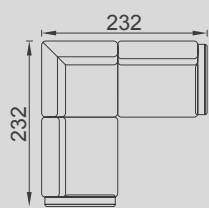
KG: 276,0 m³: 5,04

OPTION 48



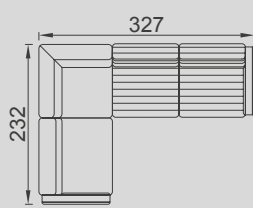
KG: 267,0 m³: 5,27

OPTION 49



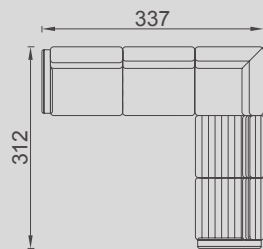
KG: 147,7 m³: 2,67

OPTION 50



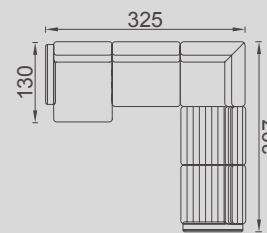
KG: 181,1 m³: 3,37

OPTION 51



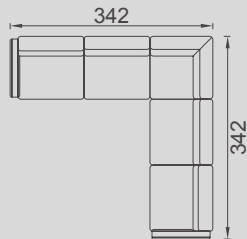
KG: 216,0 m³: 3,95

OPTION 52



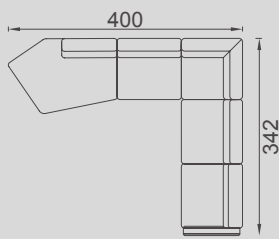
KG: 228,4 m³: 4,18

OPTION 53



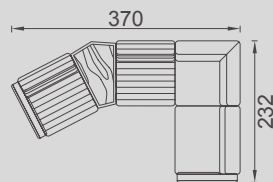
KG: 222,0 m³: 4,23

OPTION 54



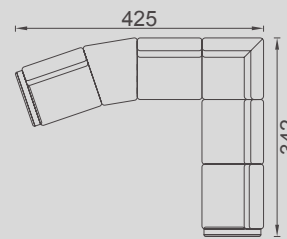
KG: 226,1 m³: 4,93

OPTION 55



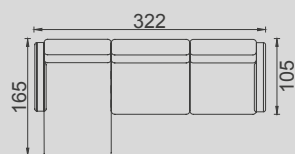
KG: 207,1 m³: 3,41

OPTION 56



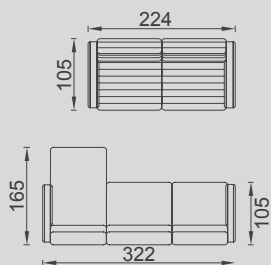
KG: 2231,9 m³: 4,63

OPTION 57



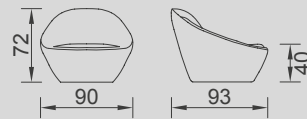
KG: 139,3 m³: 2,90

OPTION 67



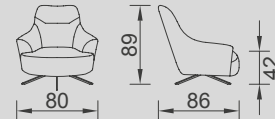
KG: 242,3 m³: 4,30

TAO ARMCHAIR



KG: 19,5 m³: 0,63

PIRI ARMCHAIR



KG: 29,8 m³: 0,64